

Product Information

Pressure Sensor



Note: For your own safety, read the manual and always follow the warnings and safety instructions printed on the device and in the manual.

Prerequisite:

- Switch off the device and pull the power plug.

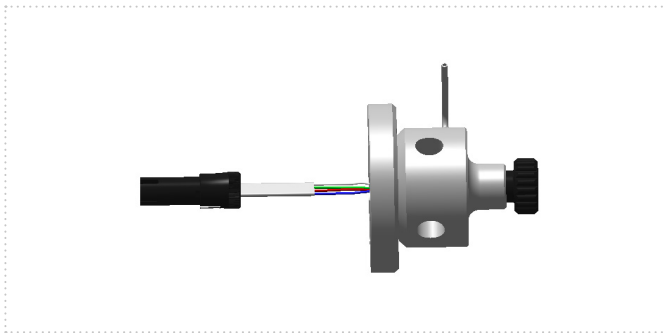


Fig. 1: Preassembled pressure sensor G2705CX81

The pressure sensor for the AZURA® P 2.1L (G2705CX81) is for measuring the pressure and is installed in the delivered pump. To remove the wetted parts of the pressure sensor it is NOT necessary to open the housing. The connection cable from the pressure sensor to the main board is a very robust cable to avoid any damaging during the pressure sensor exchange.

Removing

NOTICE

Pressure sensor cable defect

The pressure sensor cable is sensitive against pinching.

→ To avoid damaging the cable carefully guide it through the housing.

Tools

- Allen wrench, M3

Process

- Remove the 2 hexagon socket screws ①.
- Pull the pressure sensor and the connected cable out of the housing (see Figure 1).

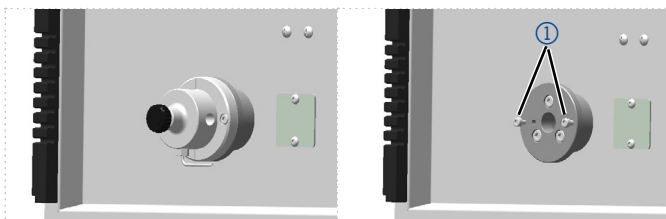


Fig. 2: Pump with (left) and without (right) pre-assembled pressure sensor

- Unplug the cable.

Installing

NOTICE

Device defect

If the pump is equipped with a 500 bar pressure sensor, it can be damaged by back pressures higher than 500 bar.

- Do not connect the pressure sensor while running in the pump head.
- Monitor the system pressure with an external manometer if necessary.

Tools

- Allen wrench, M3

Process

- Connect the pressure sensor cable to the connection cable.
- Push the pressure sensor carefully back into the housing. A holder is installed to prevent the cable to get pushed too far into the housing.
- Ensure the right orientation of the pressure sensor.

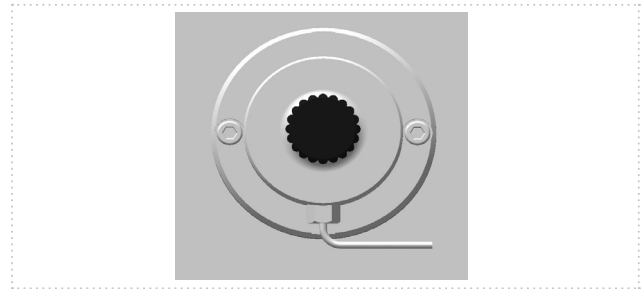


Fig. 3: Orientation pressure sensor

- Tighten the 2 hexagon socket screws with approx. 3 Nm.

Repeat orders

Name	Order no.
Preassembled pressure sensor	G2705CX81
Hexagon socket screw, M3	R0058